

# K BID G

## COLONIAL Tap Range Colonial Mono Bidet Mixer With Pop Up Waste Gold



### Specification

<b>Product Type:</b>	Bathroom Tap
<b>Main Construction Material:</b>	Brass
<b>Mount Type:</b>	Deck Mounted
<b>Handle Type:</b>	Crosshead Handles
<b>Connection Inlet:</b>	M12 x 15mm screw-in
<b>Connection Outlet:</b>	Anti-splash
<b>Number of Tap Holes:</b>	1
<b>Valve/Cartridge Type:</b>	1/2" Compression Valves
<b>Plumbing System Requirements:</b>	Suitable for all plumbing systems
<b>Minimum Dynamic Pressure:</b>	0.2 bar
<b>Maximum Dynamic Pressure:</b>	5.0 Bar
<b>Maximum Hot Water Temperature: °C</b>	65
<b>Maximum Static Pressure: (bar)</b>	10
<b>Flow Type:</b>	Single Flow
<b>Isolation Included:</b>	No

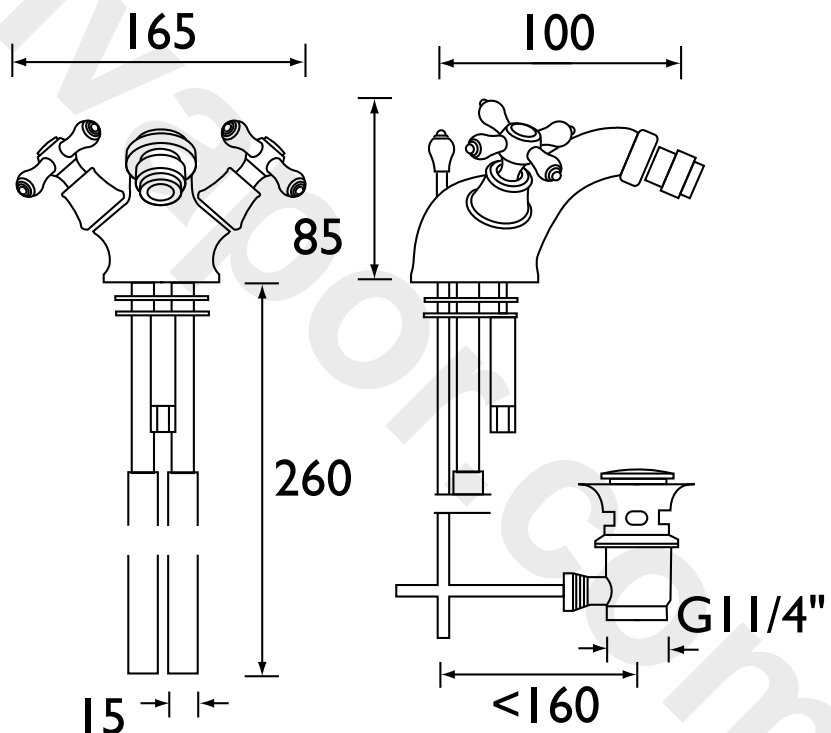
### Features:

- Metal fixing nut for added durability
- Supplied with metal handles
- Pop-up waste included

### Product Certifications:



### Dimensions (measurements in mm)



For more products, visit our website:  
<http://www.bristan.com>



### Flow Rates (l/min)

System Pressure (bar)	0.2	0.5	1	2	3	5
K BID G	10.4	17.2	25	35.4	43.3	55.9

## TECHNICAL DATA SHEET



# BRISTAN

D4